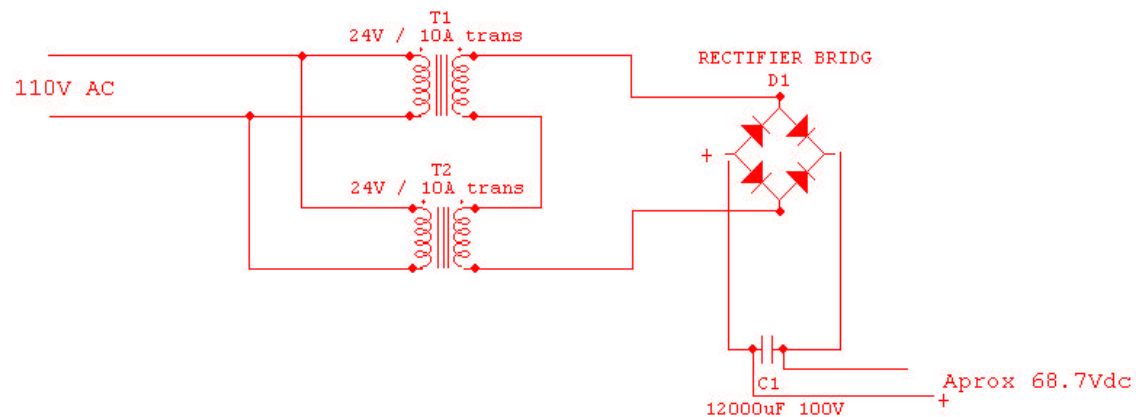


## PARTS LISTING:

- \* **T1 , T2** (2) 24V / 10amp transformer \$17.  
<http://www.mpja.com/product.asp?product=7846+TR>
- \* **RECTIFIER BRIDGE 12A 100V GBPC** [GBPC1201-ND](http://rocky.digikey.com/scripts/ProductInfo.dll?Site=US&V=112&M=GBPC1201)  
<http://rocky.digikey.com/scripts/ProductInfo.dll?Site=US&V=112&M=GBPC1201>
- \* **CAP 12000UF 100V ELECT TUP SER** [P10041-ND](http://rocky.digikey.com/scripts/ProductInfo.dll?Site=US&V=10&M=ECE-T2AP123FA)  
<http://rocky.digikey.com/scripts/ProductInfo.dll?Site=US&V=10&M=ECE-T2AP123FA>



- \* If you use the above transformers only connect one red wire and one black wire. Leave the other red wire disconnected.